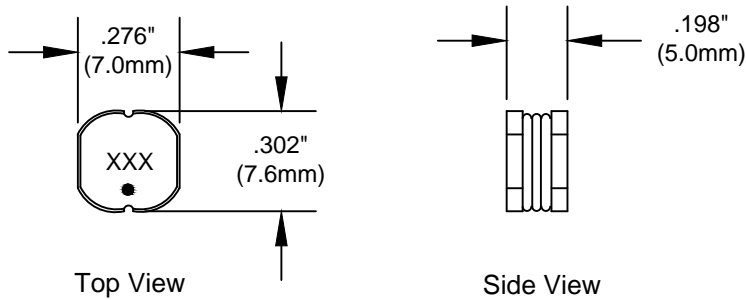


- ECONOMY INDUCTOR SERIES SUITABLE FOR SMPS AND RF APPLICATIONS.
- EXCELLENT PERFORMANCE IN A SMALL PACKAGE.
- LOW ABOVE BOARD HEIGHT (.205"/5.2mm MAXIMUM).
- WIDE RANGE OF INDUCTANCE VALUES 10 μ H - 470 μ H AND HIGH CURRENT RATINGS 340mA - 2.30ADC.

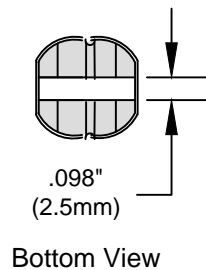
REVISIONS			
DATE	REV	DESCRIPTION	APPV'D
04/26/02	-1	corrected tolerance, chg'd dim tol. to ref.	G.G.
09/27/02	-2	chg'd ele.specs. & dim. to meet alt. source	G.G.
10/26/15	-3	Deleted color dot option	Tjk



Tolerance : ± 0.2 mm unless otherwise specified.

"●" On top of Core Identifies Start

XXX = ID# to correspond with the Inductance Value in Microhenries.



Electrical Parameters

ID#	Max Dcr	L	Idc Max
100	0.070 Ω	10.0 μ H $\pm 20\%$	2.30 A
150	0.090 Ω	15.0 μ H $\pm 20\%$	1.80 A
220	0.110 Ω	22.0 μ H $\pm 20\%$	1.50 A
330	0.130 Ω	33.0 μ H $\pm 20\%$	1.20 A
470	0.180 Ω	47.0 μ H $\pm 20\%$	1.10 A
560	0.240 Ω	56.0 μ H $\pm 10\%$	0.94 A
680	0.280 Ω	68.0 μ H $\pm 10\%$	0.85 A
820	0.370 Ω	82.0 μ H $\pm 10\%$	0.78 A
101	0.430 Ω	100.0 μ H $\pm 10\%$	0.72 A
151	0.640 Ω	150.0 μ H $\pm 10\%$	0.58 A
181	0.710 Ω	180.0 μ H $\pm 10\%$	0.51 A
221	0.960 Ω	220.0 μ H $\pm 10\%$	0.49 A
271	1.110 Ω	270.0 μ H $\pm 10\%$	0.42 A
331	1.260 Ω	330.0 μ H $\pm 10\%$	0.40 A
471	1.960 Ω	470.0 μ H $\pm 10\%$	0.34 A

PREM[®]
MAGNETICS INCORPORATED

CUSTOM ENGINEERING MAGNETIC COMPONENTS
Johnsburg, Illinois
3521 N. Chapel Hill Rd. / McHenry, Illinois 60051

SCALE: None

APPROVED BY:

DRAWN BY Tjk

DATE: 11-08-01

Theodore J Klotz

REVISED

Mechanical - Electrical for Surface Mount SMI 2 Inductor

DRAWING NUMBER

SMI 2 - 3